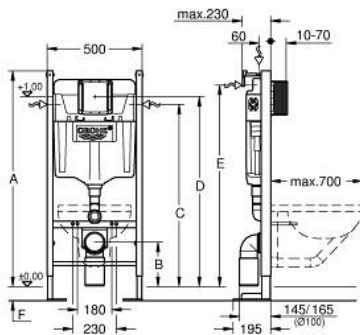


## 39 145 000 RAPID SL PROJECT 座厕元件，安装高度为1.13米



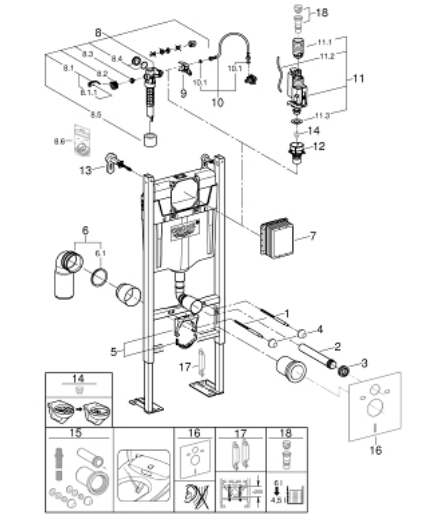
### 产品描述

- Colour: 镀铬
- NF认证
- 冲水箱GD 2, 6 - 9 l, 具有以下特点:
- 垂直使用
- 含安装支撑件38 558 00M, 用于水箱固定安装
- 如需安装小号冲水面板, 请订购 改造款轴 40 911 000 (单独销售)



A	1135	1185
B	230	280
C	960	1010
D	1000	1050
E	1060	1110
F	0-200	0-150

## 39 145 000 **RAPID SL PROJECT** 座厕元件，安装高度为1.13米



备件, 一月 2021 – now

- 1: 螺栓 (Spare part-nr. 4276400M)
- 2: 墙出水接口 (Spare part-nr. 43352000)
- 3: 连接器 (Spare part-nr. 37119000)
- 4: Basin fastening (Spare part-nr. 43511SH0)
- 5: Support for outlet bend (Spare part-nr. 42243000)
- 6: PVC waste bend (Spare part-nr. 42216000)
- 6.1: Sealing washer (Spare part-nr. 4207700M)
- 7: 配件套组 (Spare part-nr. 4215800M)
- 8: 充水阀 (Spare part-nr. 37095000)
- 8.1: 把手 (Spare part-nr. 43734000)
- 8.1.1: 紧固件 (Spare part-nr. 4377000M)
- 8.2: Valve head (Spare part-nr. 43536000)
- 8.3: 膜 (Spare part-nr. 4375800M)
- 8.4: 螺帽 (Spare part-nr. 43735000)
- 8.5: Valve FLOAT, 5 pcs. (Spare part-nr. 4379100M)
- 8.6: 密封配套 (Spare part-nr. 43722000)\*
- 9: Support device (Spare part-nr. 42246000)
- 10: 软管 (Spare part-nr. 42233000)
- 10.1: Sealing washer (Spare part-nr. 0319100M)
- 11: 双重开关阀AV1 (Spare part-nr. 42320000)
- 11.1: extension for Overflow pipe (Spare part-nr. 42313000)
- 11.2: Pneumatic hose (Spare part-nr. 42319000)
- 11.3: 紧固件 (Spare part-nr. 42310000)
- 12: Valve seat for GD2 (Spare part-nr. 42315000)
- 13: 配件,1.13m (Spare part-nr. 3855800M)
- 14: 防噪配套 (Spare part-nr. 37131000)\*
- 15: 4.5 l adapter for GD2 (Spare part-nr. 42333000)\*
- 16: Flow restrictor (Spare part-nr. 42300000)\*
- 17: 配件 (Spare part-nr. 38779000)\*
- 18: Retrofit kit for shower toilets Sensia Arena and Sensia Pro (Spare part-nr. 40899000)\*

\* Optional accessories