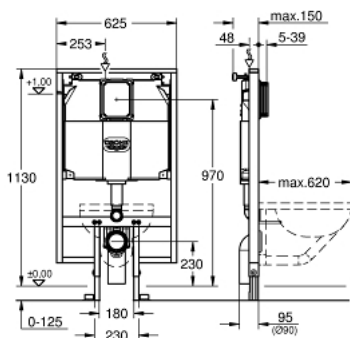


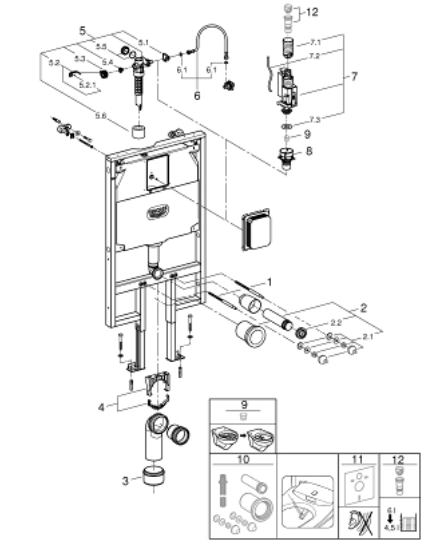
38 994 000 RAPID SL ELEMENT FOR WC WITH FLUSHING CISTERN 80 MM, 1.13 M INSTALLATION HEIGHT



产品描述

- 元件宽0.62米
- 用于狭小浴室
- 挂墙用
- 粉末喷涂处理钢架，自立式
- 用于干包层，完整预装
- 附固定连接
- 可锁定式快速调节
- 安装物料
- TÜV认证
- 2个马桶固定螺栓
- 陶瓷件紧固设备
- 固定螺栓长度180/230毫米
- PP出水口弯头 90毫米
- 深度可调
- PP reducer Ø 90/110 mm
- 进水出水连接配套
- 80毫米冲水箱
- 出厂调整水量为6升和3升
- 气动冲水阀:双冲,单冲(中断冲水)及不可中断冲水
- 顶部或背部供水
- 低噪音(获德国噪音认证)
- 防冷凝
- 供水 和推动配合防缠绕软管接头
- 安装检查无需使用工具，包含施工过程中使用的防护装置
- 垂直使用
- • 含安装支撑件38 558 00M，用于水箱固定安装
- for mounting of small flush plates please order revision shaft 40 949 000
(sold separately)
- 记住使用北欧转接器 38 338 000

38 994 000 **RAPID SL ELEMENT FOR WC WITH FLUSHING CISTERN 80 MM, 1.13 M INSTALLATION HEIGHT**



备件, 一月 2021 – now

- 1: 螺栓 (Spare part-nr. 4276400M)
- 2: 连接管 (Spare part-nr. 37311K00)
- 2.1: Basin fastening (Spare part-nr. 43511SH0)
- 2.2: 连接器 (Spare part-nr. 37119000)
- 3: Reducer (Spare part-nr. 42242000)
- 4: 加长管 (Spare part-nr. 42766000)
- 5: Support for outlet bend (Spare part-nr. 42243000)
- 6: 充水阀 (Spare part-nr. 43991000)
- 6.1: 阀座 (Spare part-nr. 43995000)
- 6.2: 把手 (Spare part-nr. 43734000)
- 6.2.1: 紧固件 (Spare part-nr. 4377000M)
- 6.3: Valve head (Spare part-nr. 43536000)
- 6.4: 膜 (Spare part-nr. 4375800M)
- 6.5: 螺帽 (Spare part-nr. 43735000)
- 6.6: Valve FLOAT, 5 pcs. (Spare part-nr. 4379100M)
- 7: 软管 (Spare part-nr. 42233000)
- 7.1: Sealing washer (Spare part-nr. 0319100M)
- 8: 阀芯 (Spare part-nr. 42385000)
- 9: 双重开关阀AV1 (Spare part-nr. 42320000)
- 9.1: extension for Overflow pipe (Spare part-nr. 42313000)
- 9.2: Pneumatic hose (Spare part-nr. 42319000)
- 9.3: 紧固件 (Spare part-nr. 42310000)
- 10: Valve seat for GD2 (Spare part-nr. 42315000)
- 11: 防噪配套 (Spare part-nr. 37131000)*
- 12: Flow restrictor (Spare part-nr. 42300000)*
- 13: 4.5 l adapter for GD2 (Spare part-nr. 42333000)*
- 14: Retrofit kit for shower toilets Sensia Arena and Sensia Pro (Spare part-nr. 40899000)*

* Optional accessories