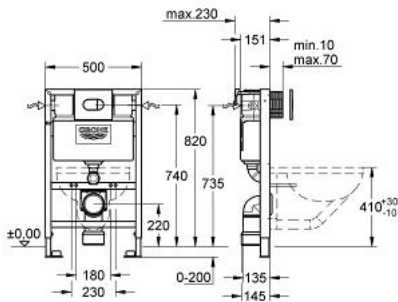


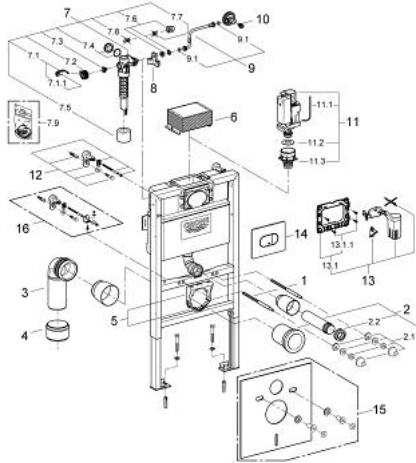
38 945 000 **RAPID SL 4-IN-1 SET FOR WC**



产品描述

- 附6/9升水箱
- 挂墙用
- 安装高度为0.82米
- 粉末喷涂处理钢架，自立式
- 用于干包层，完整预装
- 附固定连接
- 可锁定式快速调节
- TÜV认证
- 安装物料
- 2个马桶固定螺栓
- 陶瓷件坚固设备
- 固定螺栓长度180/230毫米
- 出水弯管直径80毫米
- 深度可调
- 减压器,直径80/100毫米
- 进水出水连接配套
- 6/9升水箱
- 气动冲水阀:双冲,单冲(中断冲水)及不可中断冲水
- 前按式或顶按式
- 左/右/后进水
- 低噪音(获德国噪音认证)
- 防冷凝
- 1/2" 供水连接包括综合角阀和推入配合灵活软管接头
- 可伸缩检查杆包含 施工防护装置
- 包括雅瑞娜都市型冲水面板
- 水平安装
- 156 x 197毫米
- 含斯科特都市型冲水面板
- ABS材质
- 高仪持久镀铬饰面
- 高仪乐可节技术减少耗水量
- 墙面安装配件
- 带高仪Fresh改装套件

38 945 000 **RAPID SL 4-IN-1 SET FOR WC**



备件, 十二月 2012 – now

- 1: 螺栓 (Spare part-nr. 4276400M)
- 2: 连接管 (Spare part-nr. 37311K00)
 - 2.1: Basin fastening (Spare part-nr. 43511SH0)
 - 2.2: 连接器 (Spare part-nr. 37119000)
- 3: PP-outlet bend Ø 90 mm (Spare part-nr. 42327000)
- 4: Reducer (Spare part-nr. 42242000)
- 5: Support for outlet bend (Spare part-nr. 42243000)
- 6: Inspection shaft for flushing cistern (Spare part-nr. 42326000)
- 7: 充水阀 (Spare part-nr. 37095000)
 - 7.1: 把手 (Spare part-nr. 43734000)
 - 7.1.1: 紧固件 (Spare part-nr. 4377000M)
 - 7.2: Valve head (Spare part-nr. 43536000)
 - 7.3: 膜 (Spare part-nr. 4375800M)
 - 7.4: 螺帽 (Spare part-nr. 43735000)
 - 7.5: Valve FLOAT, 5 pcs. (Spare part-nr. 4379100M)
 - 7.6: 密封配套 (Spare part-nr. 43722000)*
- 8: Support device (Spare part-nr. 42195000)
- 9: Overflow Sleeve (Spare part-nr. 43325000)
 - 9.1: Sealing washer (Spare part-nr. 0319100M)
- 10: 阀芯 (Spare part-nr. 42385000)
- 11: Discharge valve AV1 complete (Spare part-nr. 42314000)
 - 11.1: Pneumatic hose (Spare part-nr. 42319000)
 - 11.2: 紧固件 (Spare part-nr. 42310000)
 - 11.3: Valve seat for GD2 (Spare part-nr. 42315000)
- 12: 配件,1.13m (Spare part-nr. 3855800M)
- 13: AV1卸流阀 (Spare part-nr. 38796000)
 - 13.1: 托板框架 (Spare part-nr. 42358000)
 - 13.1.1: 螺丝
(Spare part-nr. 6636200M)
- 14: Top plate with push button (Spare part-nr. 42379000)
- 15: 防噪配套 (Spare part-nr. 37131000)*
- 16: Rapid SL mounting angle (Spare part-nr. 38733000)*

* Optional accessories