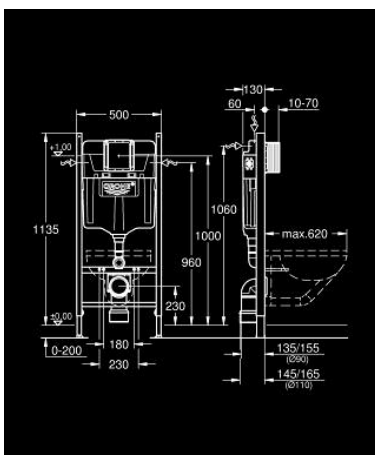


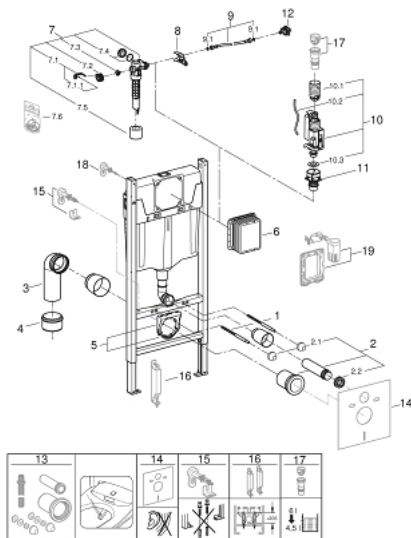
## 38 840 000 RAPID SL PROJECT 160;座厕元件，安装高度为1.13米



### 产品描述

- GD2水箱
- 挂墙用
- 粉末喷涂处理钢架，自立式
- 用于干包层
- 附固定连接
- 可锁定式快速调节
- 安装物料
- 2个马桶固定螺栓
- 陶瓷件紧固设备
- 固定螺栓长度180/230毫米
- 出水弯管 90毫米
- 深度可调
- 减径管 90/110毫米
- 进水出水连接配套
- 160;冲水箱GD 2, 6 - 9 l, 具有以下特点:
- 出厂调整水量为6升和3升
- 气动冲水阀:双冲,单冲(中断冲水)及不可中断冲水
- 左/右/上/后进水
- 低噪音(获德国噪音认证)
- 防冷凝
- 1/2" 供水连接包括综合角阀和推入配合灵活软管接头
- 安装检查无需使用工具, 包含施工过程中使用的防护装置
- 垂直或水平使用
- 160;嵌墙式安装使用, 请订购安装支撑件38 558 00M (单独销售)
- 如需安装小号冲水面板, 请订购 改造款轴 40 911 000 (单独销售)

## 38 840 000 RAPID SL PROJECT 座厕元件，安装高度为1.13米



备件, 九月 2021 – now

- 1: 螺栓 (Spare part-nr. 4276400M)
- 2: 连接管 (Spare part-nr. 37311K00)
- 2.1: Basin fastening (Spare part-nr. 43511SH0)
- 2.2: 连接器 (Spare part-nr. 37119000)
- 3: PP-outlet bend Ø 90 mm (Spare part-nr. 42327000)
- 4: Reducer (Spare part-nr. 42242000)
- 5: Support for outlet bend (Spare part-nr. 42243000)
- 6: 检查轴 (Spare part-nr. 66791000)
- 7: 充水阀 (Spare part-nr. 37095000)
- 7.1: 把手 (Spare part-nr. 43734000)
- 7.1.1: 紧固件 (Spare part-nr. 4377000M)
- 7.2: Valve head (Spare part-nr. 43536000)
- 7.3: 膜 (Spare part-nr. 4375800M)
- 7.4: 螺帽 (Spare part-nr. 43735000)
- 7.5: Valve FLOAT, 5 pcs. (Spare part-nr. 4379100M)
- 7.6: 密封配套 (Spare part-nr. 43722000)\*
- 8: Support device (Spare part-nr. 42246000)
- 9: 软管 (Spare part-nr. 42233000)
- 9.1: Sealing washer (Spare part-nr. 0319100M)
- 10: 双重开关阀AV1 (Spare part-nr. 42320000)
- 10.1: extension for Overflow pipe (Spare part-nr. 42313000)
- 10.2: Pneumatic hose (Spare part-nr. 42319000)
- 10.3: 紧固件 (Spare part-nr. 42310000)
- 11: Valve seat for GD2 (Spare part-nr. 42315000)
- 12: Water connection (Spare part-nr. 48561000)
- 13: Retrofit kit for shower toilets Sensia Arena and Sensia Pro (Spare part-nr. 40899000)\*
- 14: 防噪配套 (Spare part-nr. 37131000)\*
- 15: Xtra wall brackets, flexible placing (Spare part-nr. 38733000)\*
- 16: 配件 (Spare part-nr. 38779000)\*
- 17: 4.5 l adapter for GD2 (Spare part-nr. 42333000)\*
- 18: 配件,1.13m (Spare part-nr. 3855800M)\*
- 19: AV1卸流阀 (Spare part-nr. 38796000)\*