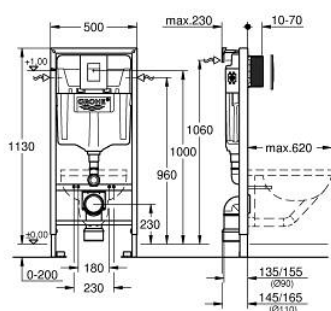


38 772 001 RAPID SL 座厕三件套，安装高度为1.13米

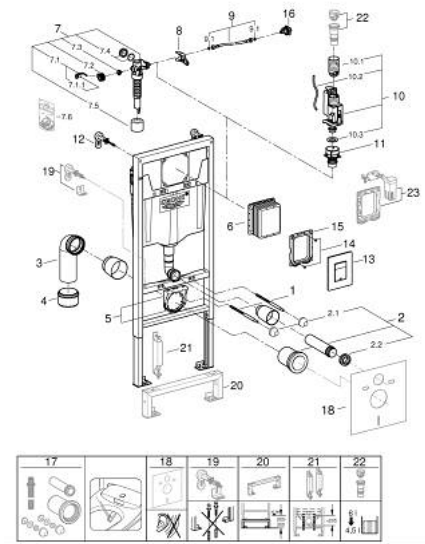


产品描述

- Colour: 镀铬
- GD2水箱
- 包含:
- 座厕用Rapid SL元件 (38 528 001)
- 斯科特都市型镀铬冲水面板 (38 732 000)
- 安装支撑件 (38 558 00M)



38 772 001 RAPID SL 座厕三件套，安装高度为1.13米



备件，十月 2021 – now

- 1: 螺栓 (Spare part-nr. 4276400M)
- 2: 连接管 (Spare part-nr. 37311K00)
 - 2.1: Basin fastening (Spare part-nr. 43511SH0)
 - 2.2: 连接器 (Spare part-nr. 37119000)
- 3: PP-outlet bend \varnothing 90 mm (Spare part-nr. 42327000)
- 4: Reducer (Spare part-nr. 42242000)
- 5: Support for outlet bend (Spare part-nr. 42243000)
- 6: 检查轴 (Spare part-nr. 66791000)
- 7: 充水阀 (Spare part-nr. 37095000)
 - 7.1: 把手 (Spare part-nr. 43734000)
 - 7.1.1: 紧固件 (Spare part-nr. 4377000M)
 - 7.2: Valve head (Spare part-nr. 43536000)
 - 7.3: 膜 (Spare part-nr. 4375800M)
 - 7.4: 螺帽 (Spare part-nr. 43735000)
 - 7.5: Valve FLOAT, 5 pcs. (Spare part-nr. 4379100M)
- 7.6: 密封配套 (Spare part-nr. 43722000)*
- 8: Support device (Spare part-nr. 42246000)
- 9: 软管 (Spare part-nr. 42233000)
 - 9.1: Sealing washer (Spare part-nr. 0319100M)
- 10: 双重开关阀AV1 (Spare part-nr. 42320000)
 - 10.1: extension for Overflow pipe (Spare part-nr. 42313000)
 - 10.2: Pneumatic hose (Spare part-nr. 42319000)
 - 10.3: 紧固件 (Spare part-nr. 42310000)
- 11: Valve seat for GD2 (Spare part-nr. 42315000)
- 12: 配件,1.13m (Spare part-nr. 3855800M)
- 13: Top plate with push button (Spare part-nr. 42371000)
- 14: 螺丝 (Spare part-nr. 6636200M)
- 15: 托板框架 (Spare part-nr. 43207000)
- 16: Water connection (Spare part-nr. 48561000)
- 17: Retrofit kit for shower toilets Sensia Arena and Sensia Pro (Spare part-nr. 40899000)*
- 18: 防噪配套 (Spare part-nr. 37131000)*
- 19: Xtra wall brackets, flexible placing (Spare part-nr. 38733000)*
- 20: 延长件 (Spare part-nr. 38629000)*
- 21: 配件 (Spare part-nr. 38779000)*
- 22: 配件 (Spare part-nr. 38779000)*