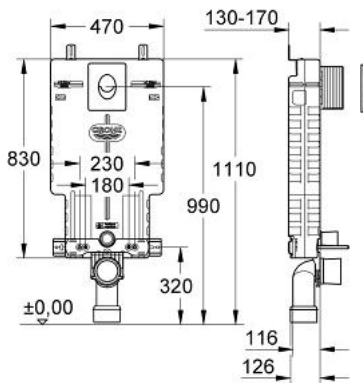


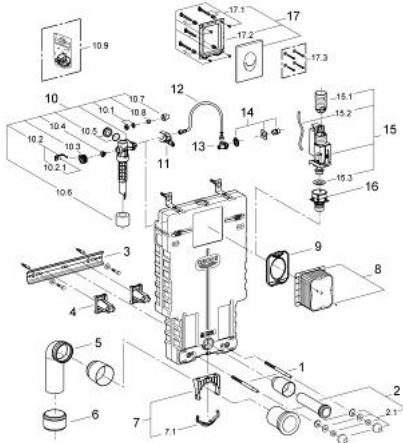
38 723 000 UNISSET 2-IN-1 SET FOR WC



产品描述

- 6/9升GD2水箱
- 砌体结构用EPS 隔音模块
- 830 x 470 x 130毫米
- 用于模块化固定的轨道适配器
- 单个或轨道安装用
- 墙面导轨带单独安装固定配件
- 2个马桶固定螺栓
- 固定螺栓长度180/230毫米
- 陶瓷件紧固设备
- 出水弯管直径80毫米
- 深度可调
- 减压器,直径80/100毫米
- 进水出水连接配套
- 气动冲水阀:双冲,单冲(中断冲水)及不可中断冲水
- 左/右/上/后进水
- 低噪音(获德国噪音认证)
- 防冷凝
- 1/2" 供水连接包括综合角阀和推入配合灵活软管接头
- shortable inspection shaft incl. protection during construction phase, for vertical or horizontal use
- 包括斯科特气动冲水面板
- 垂直安装
- 156 x 197毫米
- 含斯科特都市型冲水面板
- ABS材质
- 高仪乐可节技术减少耗水量

38 723 000 UNISET 2-IN-1 SET FOR WC



备件, 三月 2006 – now

- 1: 螺栓 (Spare part-nr. 4276400M)
- 2: 连接管 (Spare part-nr. 37311K00)
- 2.1: Basin fastening (Spare part-nr. 43511SH0)
- 2.2: 连接器 (Spare part-nr. 37119000)
- 3: 杆 (Spare part-nr. 43931000)
- 4: 吊钩 (Spare part-nr. 43919000)
- 5: 出水口弯头 (Spare part-nr. 43909000)
- 6: Reducer (Spare part-nr. 42242000)
- 7: Support for outlet bend (Spare part-nr. 42243000)
- 7.1: Hoop (Spare part-nr. 42949000)
- 8: Inspection shaft for GD2 in Uniset (Spare part-nr. 42325000)
- 9: 保护面板
(Spare part-nr. 42231000)
- 10: 充水阀 (Spare part-nr. 37095000)
- 10.1: 把手 (Spare part-nr. 43734000)
- 10.1.1: 紧固件 (Spare part-nr. 4377000M)
- 10.2: Valve head (Spare part-nr. 43536000)
- 10.3: 膜 (Spare part-nr. 4375800M)
- 10.4: 螺帽 (Spare part-nr. 43735000)
- 10.5: Valve FLOAT, 5 pcs. (Spare part-nr. 4379100M)
- 10.6: 密封配套 (Spare part-nr. 43722000)*
- 11: Support device (Spare part-nr. 42246000)
- 12: 软管 (Spare part-nr. 42233000)
- 12.1: Sealing washer (Spare part-nr. 0319100M)
- 13: 角阀 (Spare part-nr. 42235000)
- 14: 进水管 (Spare part-nr. 42234000)
- 15: 双重开关阀AV1 (Spare part-nr. 42320000)
- 15.1: extension for Overflow pipe (Spare part-nr. 42313000)
- 15.2: Pneumatic hose (Spare part-nr. 42319000)
- 15.3: 紧固件 (Spare part-nr. 42310000)
- 16: Valve seat for GD2 (Spare part-nr. 42315000)
- 17: 冲水面板 (Spare part-nr. 38505000)
- 17.1: 螺丝
(Spare part-nr. 6636200M)
- 17.2: 托板框架 (Spare part-nr. 43207000)
- 17.3: 配件套组 (Spare part-nr. 4308500M)*