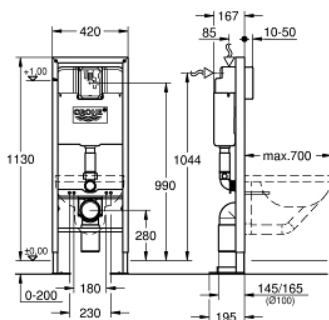


38 599 001 RAPID SL 座厕元件，安装高度为1.13米，宽为0.42米

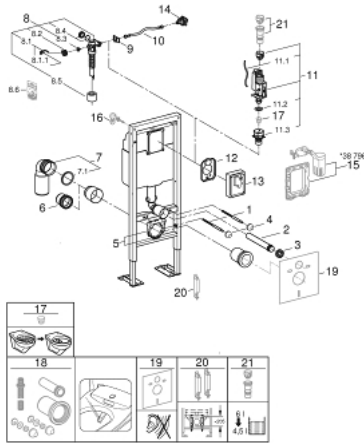


产品描述

- 附6升水箱
- 墙前安装或独立安装
- 粉末喷涂处理钢架，自立式
- 用于干包层，完整预装
- 高度可调连接
- 安装物料
- TÜV认证
- 2个马桶固定螺栓
- 陶瓷件紧固设备
- 固定螺栓长度180/230毫米
- PVC出水管 100毫米
- 进水出水连接配套
- 气动冲水阀:双冲,单冲(中断冲水)及不可中断冲水
- 低噪音(获德国噪音认证)
- 防冷凝
- 1/2" 供水连接包括综合角阀和推入配合灵活软管接头
- 嵌墙式安装使用，请订购安装支撑件38 558 00M (单独销售)
- with integrated socket for shower toilets (power)



38 599 001 **RAPID SL** 座厕元件, 安装高度为1.13米, 宽为0.42米



备件, 十一月 2021 – now

- 1: 螺栓 (Spare part-nr. 4276400M)
- 2: 墙出水接口 (Spare part-nr. 43352000)
- 3: 连接器 (Spare part-nr. 371190000)
- 4: Basin fastening (Spare part-nr. 43511SH0)
- 5: Support for outlet bend (Spare part-nr. 42243000)
- 6: 加长管 (Spare part-nr. 42766000)
- 7: PVC waste bend (Spare part-nr. 42216000)
- 7.1: Sealing washer (Spare part-nr. 4207700M)
- 8: 充水阀 (Spare part-nr. 43537000)
- 8.1: Dummy plug and escutcheon cap (Spare part-nr. 37125000)
- 8.2: 把手 (Spare part-nr. 43734000)
- 8.2.1: 紧固件 (Spare part-nr. 4377000M)
- 8.3: Valve head (Spare part-nr. 43536000)
- 8.4: 膜 (Spare part-nr. 4375800M)
- 8.5: 螺帽 (Spare part-nr. 43735000)
- 8.6: Valve FLOAT, 5 pcs. (Spare part-nr. 4379100M)
- 8.7: 节流阀 (Spare part-nr. 42356000)
- 8.8: 密封配套 (Spare part-nr. 43722000)*
- 9: Support device (Spare part-nr. 43551000)
- 10: 软管 (Spare part-nr. 43349000)
- 11: 双重开关阀AV1 (Spare part-nr. 66558000)
- 11.1: Pneumatic hose (Spare part-nr. 42319000)
- 11.2: 紧固件 (Spare part-nr. 42310000)
- 11.3: Valve seat for GD2 (Spare part-nr. 42315000)
- 12: 保护面板
(Spare part-nr. 43552000)
- 13: 保护盖 (Spare part-nr. 43944000)
- 14: Water connection (Spare part-nr. 48561000)
- 15: AV1卸流阀 (Spare part-nr. 38796000)*
- 16: 配件,1.13m (Spare part-nr. 3855800M)*
- 17: Flow restrictor (Spare part-nr. 42300000)*
- 18: Retrofit kit for shower toilets Sensia Arena and Sensia Pro (Spare part-nr. 40899000)*
- 19: 防噪配套 (Spare part-nr. 37131000)*
- 20: 配件 (Spare part-nr. 38779000)*
- 21: 4.5 l adapter for GD2 (Spare part-nr. 42333000)*