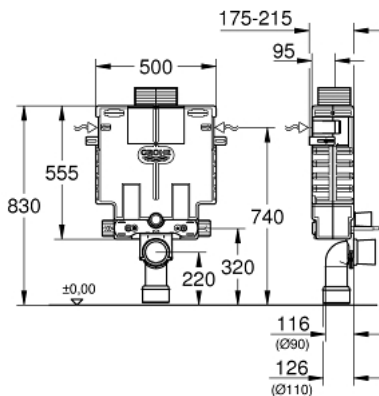


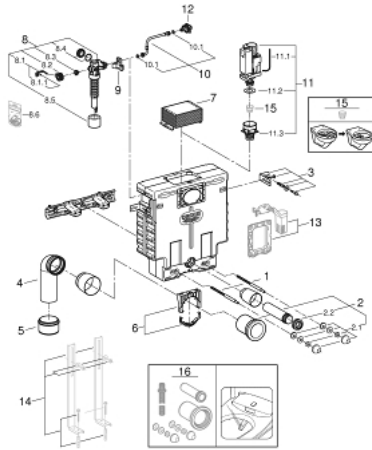
38 415 001 UNISET 160;座厕元件, 安装高度为0.82米



产品描述

- 附6/9升水箱
- 前按式或顶按式
- 砌体结构用EPS 隔音模块
- 用于模块化固定的轨道适配器
- 单个或轨道安装用
- 墙面导轨带单独安装固定配件
- 2个马桶固定螺栓
- 固定螺栓长度180/230毫米
- 陶瓷件紧固设备
- 出水弯管 90毫米
- 深度可调
- 进水出水连接配套
- 160;冲水箱6-9升, 具有以下特点: 嵌墙式安装使用, 请订购安装支撑件38 558 00M (单独销售)
- 气动冲水阀:双冲,单冲(中断冲水)及不可中断冲水
- 左/右/上进水
- 低噪音(获德国噪音认证)
- 防冷凝
- 1/2" 进水连接
- 角阀
- 可伸缩检查杆包含 施工防护装置
- preparation for shower toilets with additional accessory 40 899 000 (sold separately)
- for mounting of small flush plates please order revision shaft 40 950 000 (sold separately)

38 415 001 UNISET 座厕元件，安装高度为0.82米



备件, 十一月 2021 – now

- 1: 螺栓 (Spare part-nr. 4276400M)
- 2: 连接管 (Spare part-nr. 37311K00)
 - 2.1: Basin fastening (Spare part-nr. 43511SH0)
 - 2.2: 连接器 (Spare part-nr. 37119000)
- 3: Fastening set, complete, 2 pcs. (Spare part-nr. 4276300M)
- 4: PP-outlet bend Ø 90 mm (Spare part-nr. 42327000)
- 5: Reducer (Spare part-nr. 42242000)
- 6: Support for outlet bend (Spare part-nr. 42243000)
- 7: Inspection shaft for flushing cistern (Spare part-nr. 42326000)
- 8: 充水阀 (Spare part-nr. 37095000)
 - 8.1: 把手 (Spare part-nr. 43734000)
 - 8.1.1: 紧固件 (Spare part-nr. 4377000M)
 - 8.2: Valve head (Spare part-nr. 43536000)
 - 8.3: 膜 (Spare part-nr. 4375800M)
 - 8.4: 螺帽 (Spare part-nr. 43735000)
 - 8.5: Valve FLOAT, 5 pcs. (Spare part-nr. 4379100M)
 - 8.6: 密封配套 (Spare part-nr. 43722000)*
- 9: Support device (Spare part-nr. 42195000)
- 10: Overflow Sleeve (Spare part-nr. 43325000)
 - 10.1: Sealing washer (Spare part-nr. 0319100M)
- 11: Discharge valve AV1 complete (Spare part-nr. 42314000)
 - 11.1: Pneumatic hose (Spare part-nr. 42319000)
 - 11.2: 紧固件 (Spare part-nr. 42310000)
 - 11.3: Valve seat for GD2 (Spare part-nr. 42315000)
- 12: Water connection (Spare part-nr. 48561000)*
- 13: AV1卸流阀 (Spare part-nr. 38796000)*
- 14: 支撑脚
(Spare part-nr. 37304000)*
- 15: Flow restrictor (Spare part-nr. 42300000)*
- 16: Retrofit kit for shower toilets Sensia Arena and Sensia Pro (Spare part-nr. 40899000)*

* Optional accessories