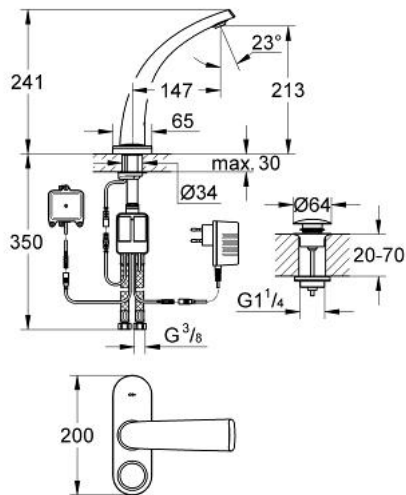


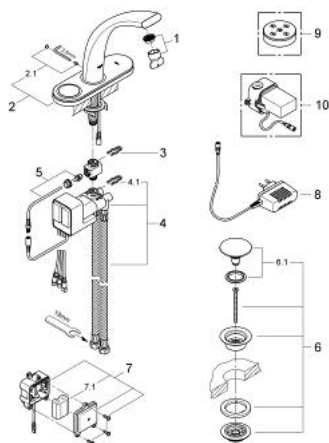
36 080 LS0 高仪安渡斯 数码面盆龙头



产品描述

- Colour: 月晕白
- with display
- 单孔安装
- advanced touch operating panel with backlit icons
- integrated digital display and intuitive menu navigation
- function unit
- integrated temperature sensor
- plug power supply 230 V AC / 6 V DC
- 备用综合电池
- 6V锂离子电池, CR-P2型
- battery status indicator on display
- 综合起泡器
- 按开式落水配套 1 1/4"
- 软管
- digital flow limiter
- programmable, automatic safety shut-off (with default setting)
- CE认证
- type of protection:
- faucet IP 66
- plug power supply IP 40
- battery unit IP 66
- operating panel IP 69K
- upgrade option with pre set panel 45 983

36 080 LS0 高仪安渡斯 数码面盆龙头



备件, 八月 2008 – now

- 1: 起泡器 (Spare part-nr. 48009000)
- 2: Operating panel (Spare part-nr. 45989LS0)
- 2.1: 配件套组 (Spare part-nr. 48003000)
- 3: 钳 (Spare part-nr. 6554100M)
- 4: Mixing device (Spare part-nr. 45990000)
- 4.1: 钳 (Spare part-nr. 6554100M)
- 5: 温度传感器 (Spare part-nr. 42349000)
- 6: Waste fitting (Spare part-nr. 65807LS0)
- 6.1: 螺纹接套

(Spare part-nr. 45986LS0)
- 7: 电池

(Spare part-nr. 42741000)
- 7.1: 电池 (Spare part-nr. 42886000)
- 8: 雅律铂亚特单把手低出水口面盆龙头 230 V (Spare part-nr. 65790000)
- 9: Pre set panel (Spare part-nr. 45983LS0)*
- 10: Plug power supply 110-240 V (Spare part-nr. 36078000)*

* Optional accessories