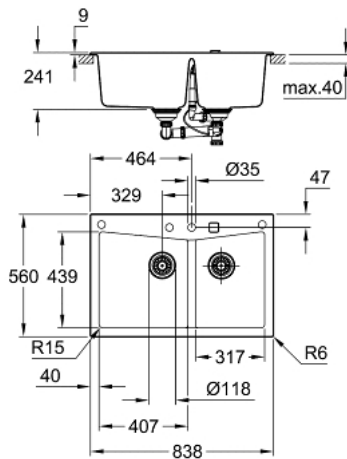


31 657 AP0 K700 复合花岗岩水槽



产品描述

- Colour: 黑色
- model: K700 90-C 83.8/55.9 2.0
- 安装类型: 台上安装或台下安装
- 材料: 符合花岗岩
- 高仪静流技术
- 橱柜最小尺寸: 900毫米
- dimensions: 838 x 559 mm
- 1 bowl: 406 x 438 x 241 mm
- 1 bowl: 316 x 438 x 241 mm
- outer radius: R6, inner bowl radius: R15
- 高仪快速安装系统
- 水槽安装方向: 左侧
- cut-out (top mount): 818 x 539 mm
- cut-out (undermount installation): 757 x 437 mm
- drainer: automatic waste fitting
- accessories included: automatic waste fitting with rotary handle, waste kit, basket strainer waste, mounting set
- 可选按压式去水配件 (40 986 SD0)
- amount of fasteners included (top mount): 9
- amount of fasteners included (undermount): 9
- heat resistant up to 180° C

31 657 AP0 K700 复合花岗岩水槽

备件, 五月 2022 – now

- 1: 落水塞 (Spare part-nr. 42588SD1)
- 2: Waste trap (Spare part-nr. 42619000)
- 3: Cover element (Spare part-nr. 42590SD1)
- 4: 回转接头 (Spare part-nr. 42586SD0)
- 5: 落水塞 (Spare part-nr. 42589SD1)

