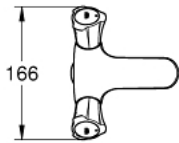
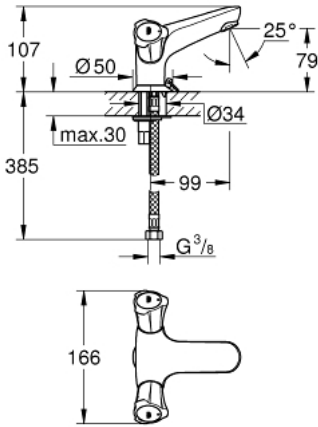
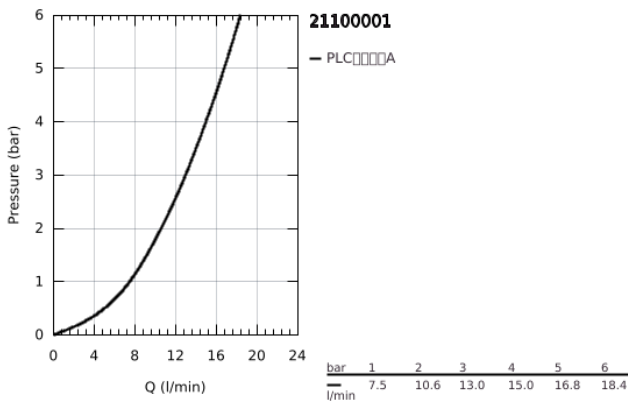


21 100 001 高士达L单孔盥洗盆混合龙头, 1/2"

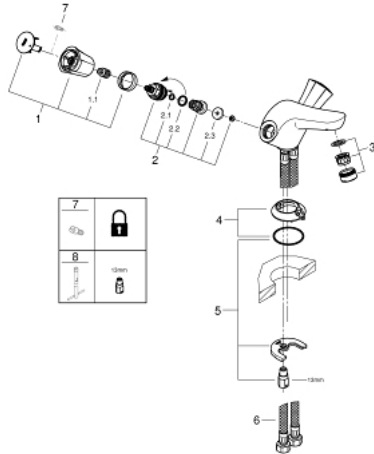


产品描述

- Colour: 镀铬
- 金属把手
- 隔热
- 旋入式
- 耐久阀芯
- 出水口带起泡器
- 链环
- 软管
- 高仪持久镀铬饰面



21 100 001 高士达L单孔盥洗盆混合龙头, 1/2"



备件, 八月 2016 – now

1: 把手 (Spare part-nr. 45994000)

1.1: 按钮 (Spare part-nr. 0538600M)

2: 阀芯 (Spare part-nr. 07146000)

2.1: Sealing washer $\varnothing 6 \times \varnothing 2$ (Spare part-nr. 0128300M)

2.2: O型圈 $\varnothing 18.2 \times \varnothing 1.7$ (Spare part-nr. 0392400M)

2.3: 紧固件 (Spare part-nr. 0529100M)

3: 起泡器 (Spare part-nr. 13929000)

4: 法兰盘 (Spare part-nr. 48005000)

5: Shank mounting kit (Spare part-nr. 46249000)

6: Connection hose (Spare part-nr. 46255000)

7: Screw for Costa/Avina products (Spare part-nr. 48013000)*

8: 扳手 (Spare part-nr. 19017000)*

* Optional accessories